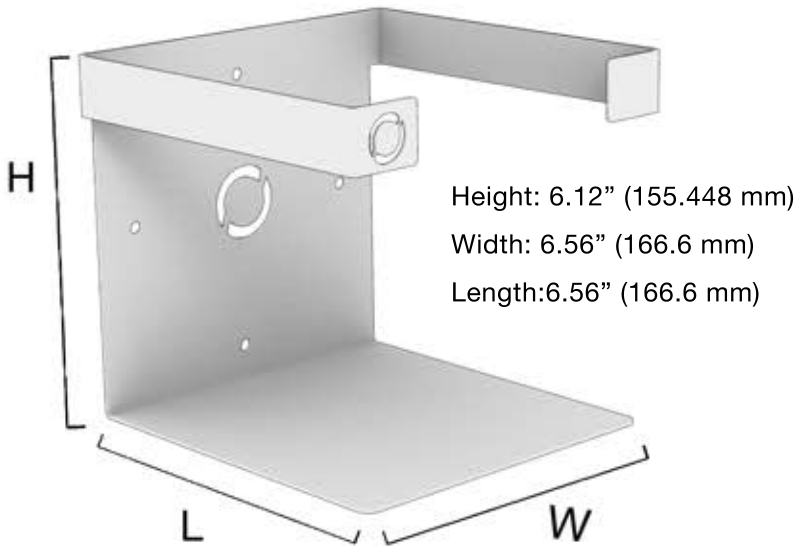


Oeeveo

MODEL ID: GCWM-666



WHAT'S INCLUDED



DESCRIPTION

The Xbox Series X Wall Mount is designed to efficiently and securely hold an your Xbox console conveniently on a wall or on your monitor and away from potential damage on tables and desktops. The Xbox Series X Mount hugs your console with two securing arms and supports the Xbox console with a bottom flange made of heavy steel material. The Xbox Series X Wall Mount is furnished with foam bumpers to prevent scratching of your console and the Matte Black finish on the mount is durable and provides a sleek look to the mount. When mounted in this Xbox Series X Mount your console will be the predominant feature in your gaming workspace. Level up with the Xbox Series X Wall Mount from Oeeveo!

710 E Catawba St. Suite A, Belmont, NC 28012 | Phone: 1-888-416-3836 | Fax: 704-893-8777

MOUNTING HOLE SPECIFICATIONS



SPECIFICATIONS

Part Number	GCWM-666
Height	6.12 in / 155.448 mm
Width	6.56 in / 166.6 mm
Length	6.56 in / 166.6 mm
Country of Origin	Made in USA
Material	16 GA CRS
Color	Black Powder Coat
Shipping Method	FedEx Ground

INSTALLATION

To install the GCWM-666, locate a wall stud nearest to the location you would like your device mounted. Line up the two center mounting holes with the wall stud, and using a pencil, trace all four hole points. Using a 3/16" drill bit, drill a hole at each point traced. Insert the provided plastic wall anchors in the pre-drilled holes, and secure the GCWM-666 to the mounting surface using the 1-1/4" black screws. Attach the flocks provided to both the arms which wrap around your console. Now, Place your Console vertically between the arms.