



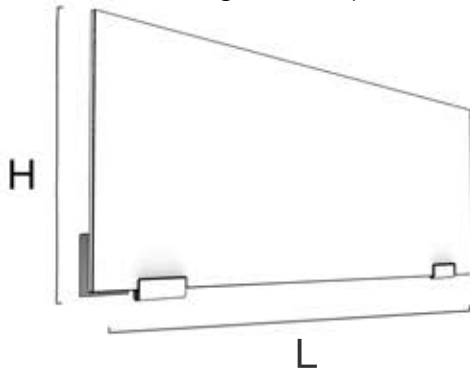
MODEL ID:

CEB-324, ACEP-124, ACEP-232

Height: 12" (304.8 mm)

Width: 2-3" (50.8-88.9 mm)

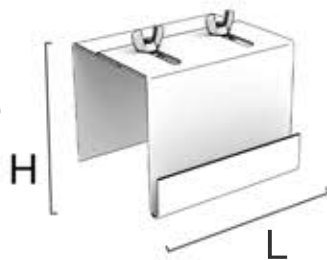
Length: 48" (1219.2 mm)



Height: 3" (76.2 mm)

Width: 2-3" (50.8-88.9 mm)

Length: 4" (101.6 mm)



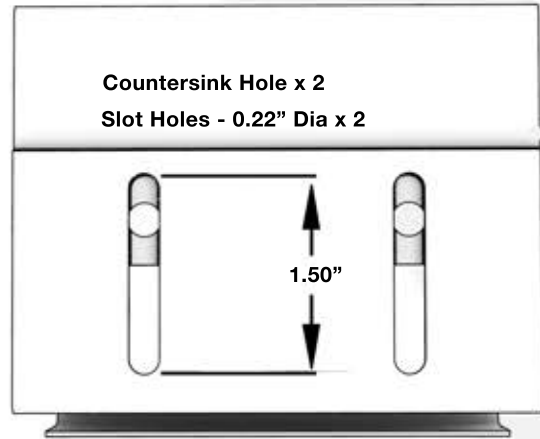
WHAT'S INCLUDED



DESCRIPTION

Reduce the spread of pathogens in your office, school classroom, or commercial space with our Plexiglass Partitions, complete with mounting brackets and fasteners. These partitions are perfect for extending the walls of a cubicle or service station to serve as a sneeze guard. Not only do the plexiglass partitions encourage social distancing and best health practices, but they also reduce noise. Plus, the sleek design won't be an eye sore and throw off the aesthetic of your office. Both the plexiglass shields and mounting brackets are heavy-duty and built to last for years.

MOUNTING HOLE SPECIFICATIONS



SPECIFICATIONS

Part Number	CEB-324, ACEP-124, ACEP-232
Height	12 in / 304.8 mm
Width	2-3 in / 50.8-88.9 mm
Length	48 in / 1219.2 mm
Country of Origin	Made in USA
Material	16 GA CRS
Color	Black Powder Coat
Shipping Method	FedEx Ground
Weight Capacity	10 lbs / 4.53 kg

Available in Two Sizes

Small Plexiglass	12" x 0.23" x 48"
Large Plexiglass	24" x 0.23" x 48"

INSTALLATION

Step 1: Locate all parts of the bracket.

Step 2: Clamp the two brackets with fasteners provided and attach to the top of the cubicle wall.

Step 3: Place the acrylic sheet on the groove/open.