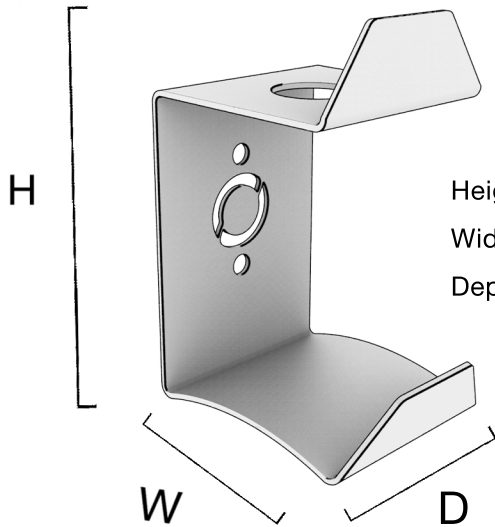


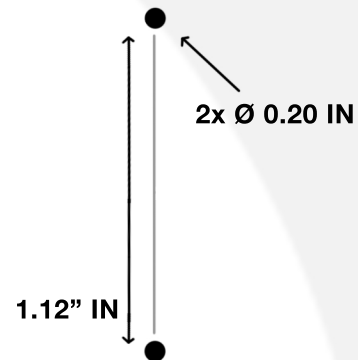
OeVeO

MODEL ID: HCM-322



Height: 3.75" (95.25 mm)
Width: 2.25" (57.15 mm)
Depth: 2" (50.8 mm)

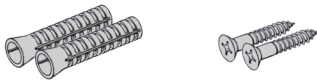
MOUNTING HOLE SPECIFICATIONS



SPECIFICATIONS

Part Number	HCM-322
Height	3.75 in / 95.25 mm
Width	2.25 in / 57.15 mm
Depth	2 in / 50.8 mm
Country of Origin	Made in USA
Material	14 GA CRS
Color	Black Powder Coat
Shipping Method	FedEx Ground

WHAT'S INCLUDED



DESCRIPTION

OeVeO is dedicated to helping gamers achieve the perfect gaming battlestation. The Headset Controller Combo Mount allows you to neatly organize your accessories and mount them right alongside your Xbox or Playstation console. The sturdy steel construction and durable powder coat will not only provide a strong hold, but also look great while doing it. Keep your headset and controller safe from spills, drops, and other sources of damage by mounting them to the wall or the side of your desk or entertainment center. The Headset Controller Combo Mount comes with all necessary fasteners and is extremely easy to install!

INSTALLATION

Step 1: Identify the location to install on drywall and identify studs if possible.

Step 2: Locate a stud with stud finder and draw a vertical line along the stud.

Step 3: Line up the mount with the holes following the stud.

Step 4: Check level along all directions and mark guides for hole placement. Drill pilot holes at the guide marks with a 3/16 drill bit.

Step 5: Insert the provided plastic wall anchors in the pre-drilled holes, and secure the HCM-322 wall mount to the mounting surface using the 1-1/4" black screws

Step 6: Now, Place your Gaming Headset/ Headphone to wall mount and enjoy the service.