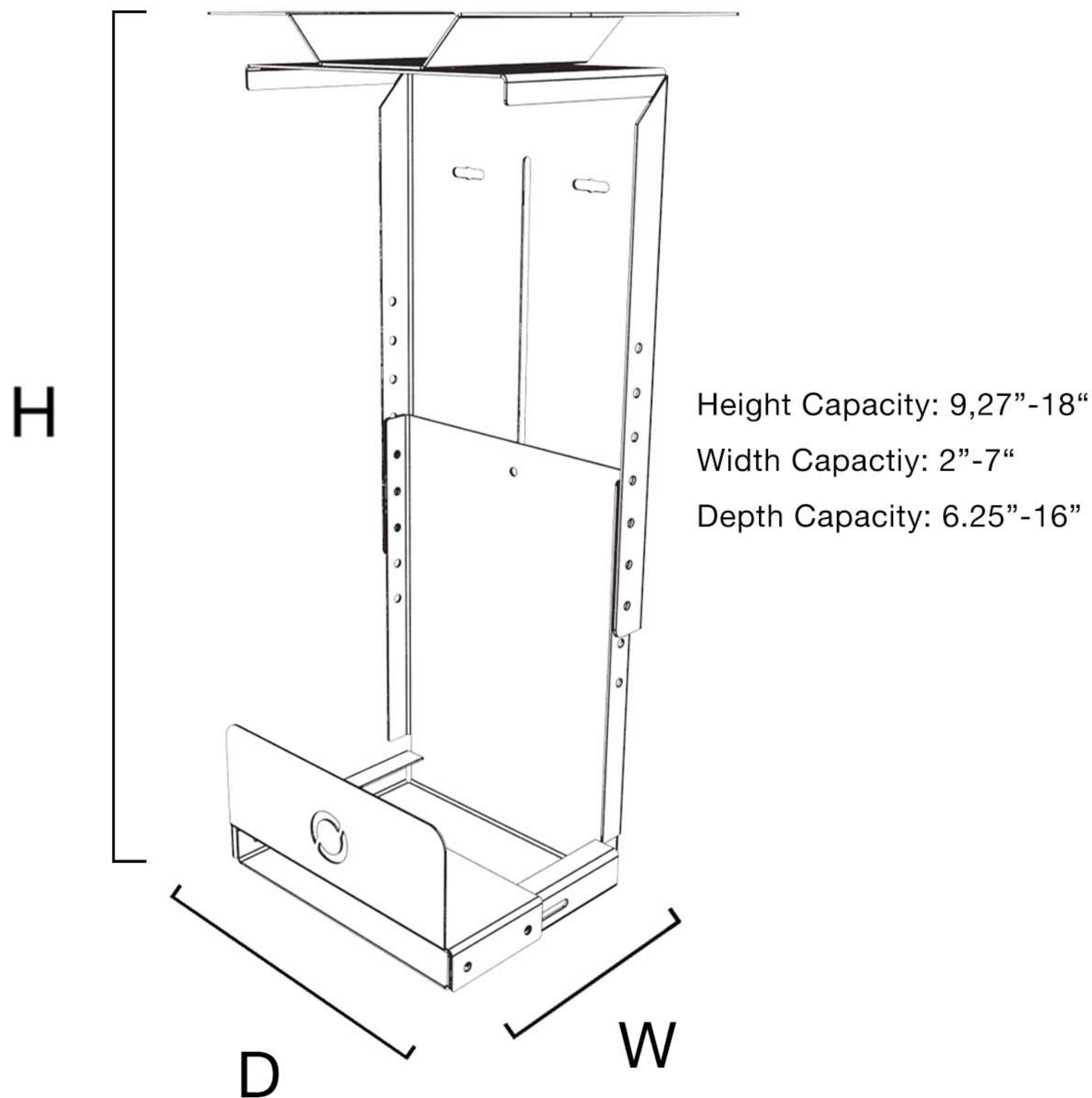
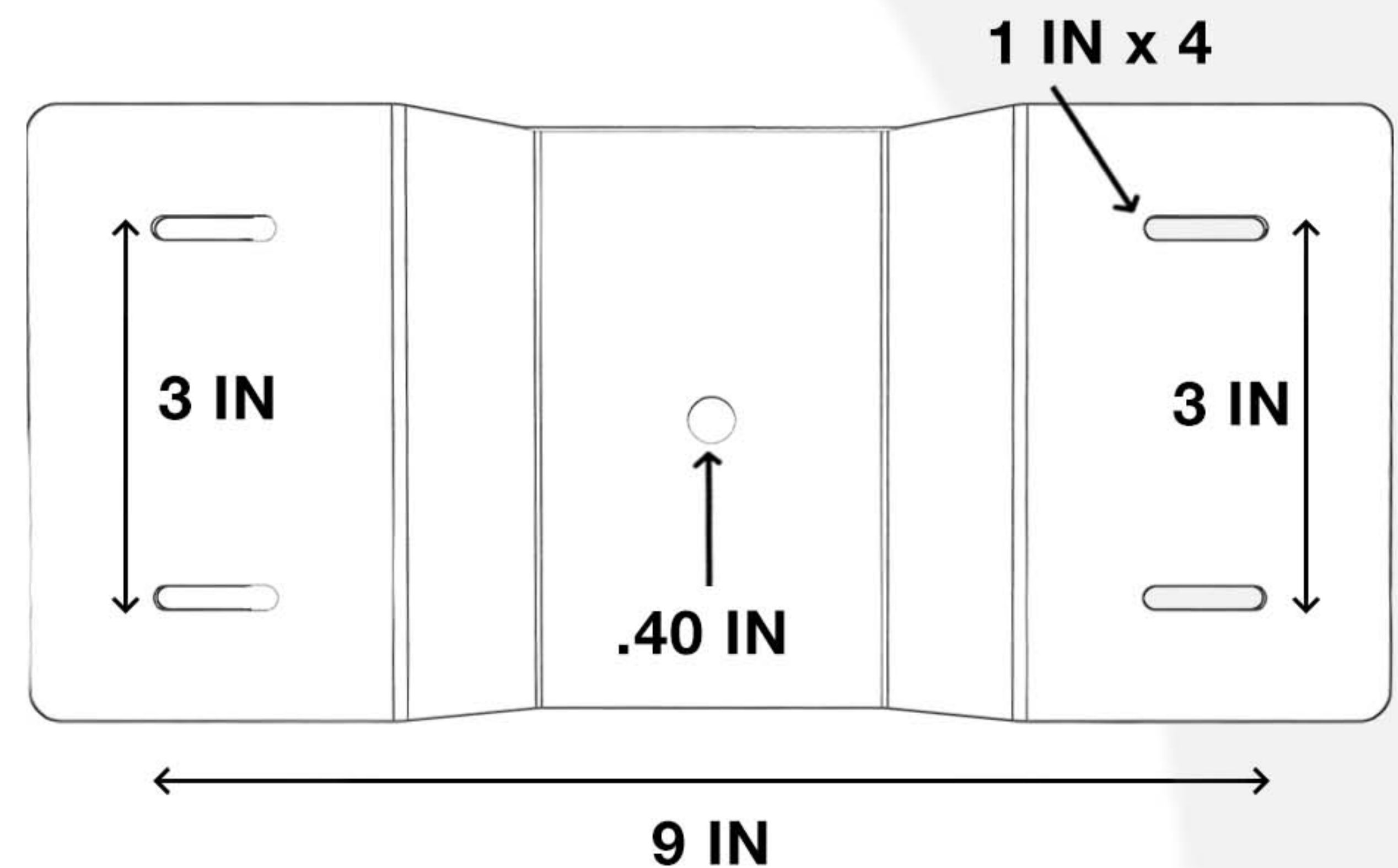


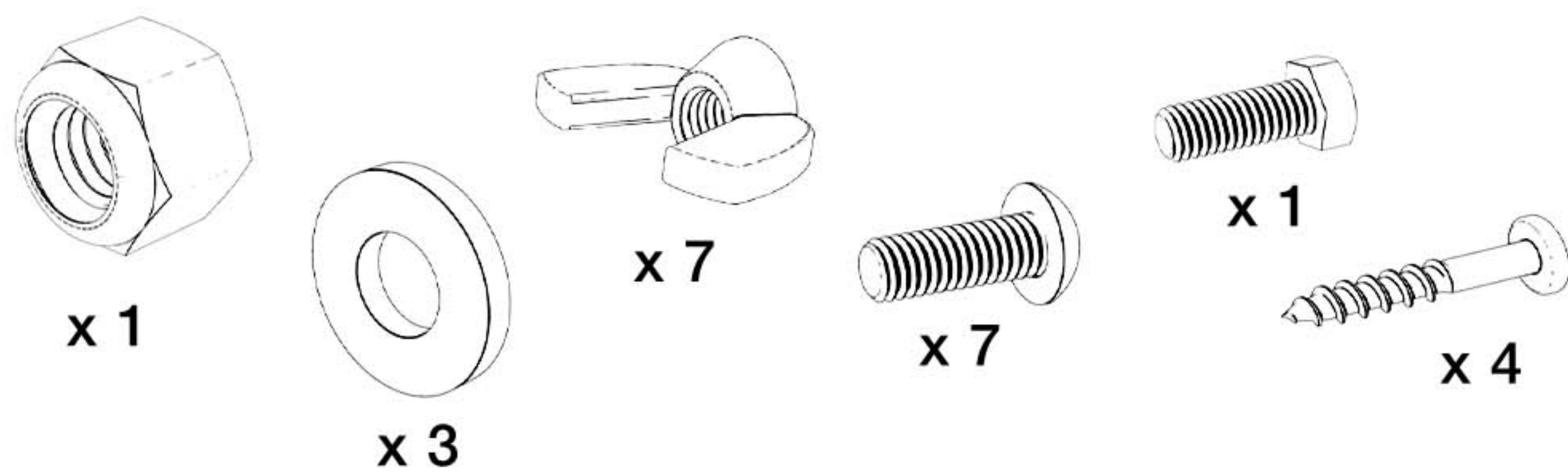
## MODEL ID: UCM-877



## MOUNTING HOLE SPECIFICATIONS



## WHAT'S INCLUDED



## SPECIFICATIONS

Part Number	UCM-877
Height	18 in / 457.2 mm
Width	7 in / 177.8 mm
Depth	7.5 / 190.5 mm
Country of Origin	Made in USA
Material Thickness	14 & 16 GA
Finish	Flat Black
Shipping Method	FedEx Ground

## DESCRIPTION

The Adjustable Under Desk PC Mount is a convenient solution for displaying large form factor PCs under your desk. Adjustable in every way, this mount can extend horizontally and vertically to fit a variety of different size towers. It adjusts to hold PC sizes of 9.75"- 18" in height, a maximum of 16" in depth and 7.5" in width. Its top-mounted feature is perfect for sit/stand desks to get a tower off the floor or desktop. Made of cold-rolled steel and powder coated in black, the mount has a carrying capacity of 40 Lbs. Additionally, its 360 swivel feature allows for easy access between cords, buttons, and switches.

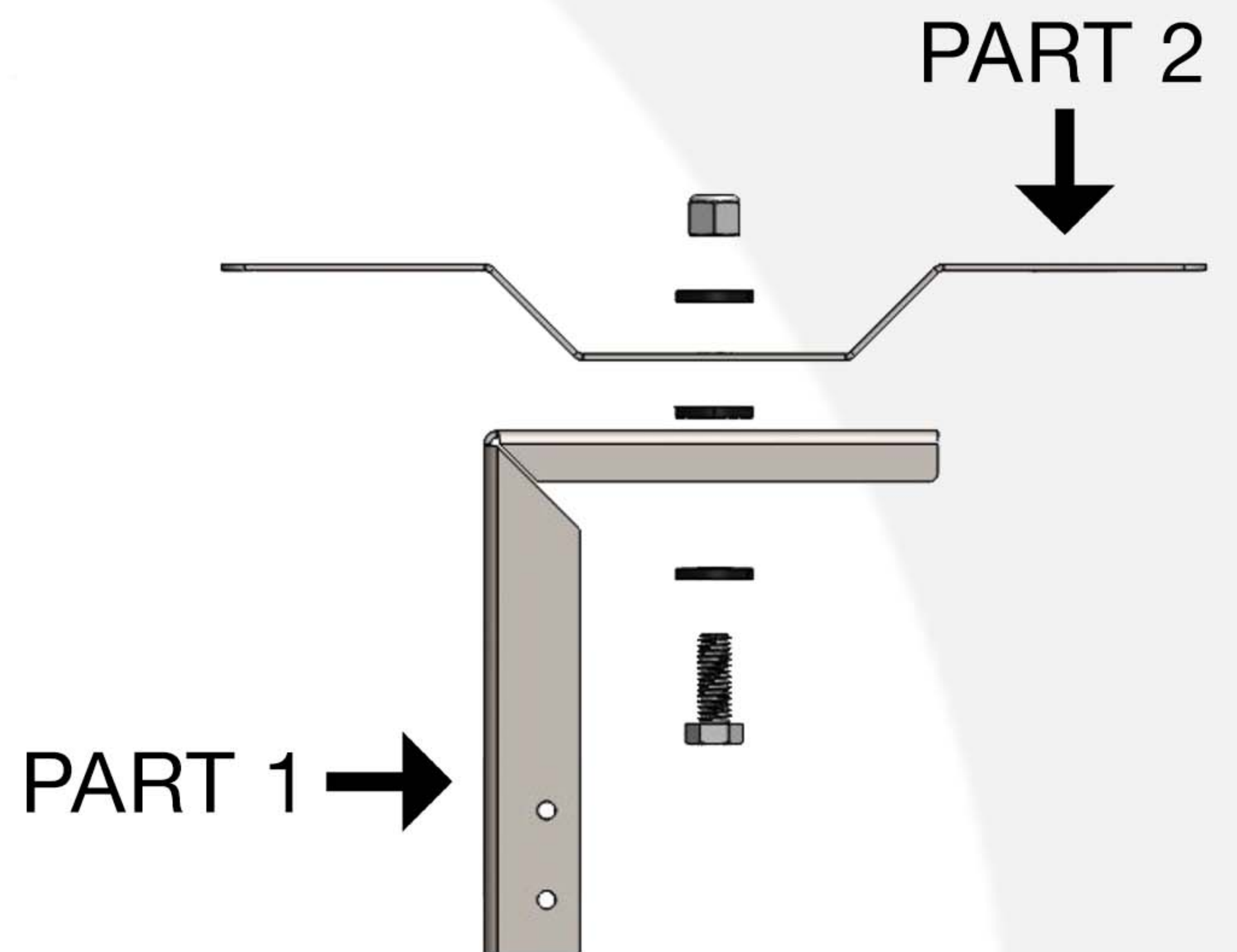
This mount is engineered for casual, work, and gaming usage. Utilize the space directly under your desk to free up the surface area. Mounting your PC helps with airflow and prevents any damage from spills. When it comes to gaming, utilize the 360-degree feature to showcase the aesthetics of your tower to complete your battle station look. The mount comes in 4 parts, ready for assembly. All the necessary fasteners for installation are included.

**See Pages 2 & 3 for Installation Instructions.**

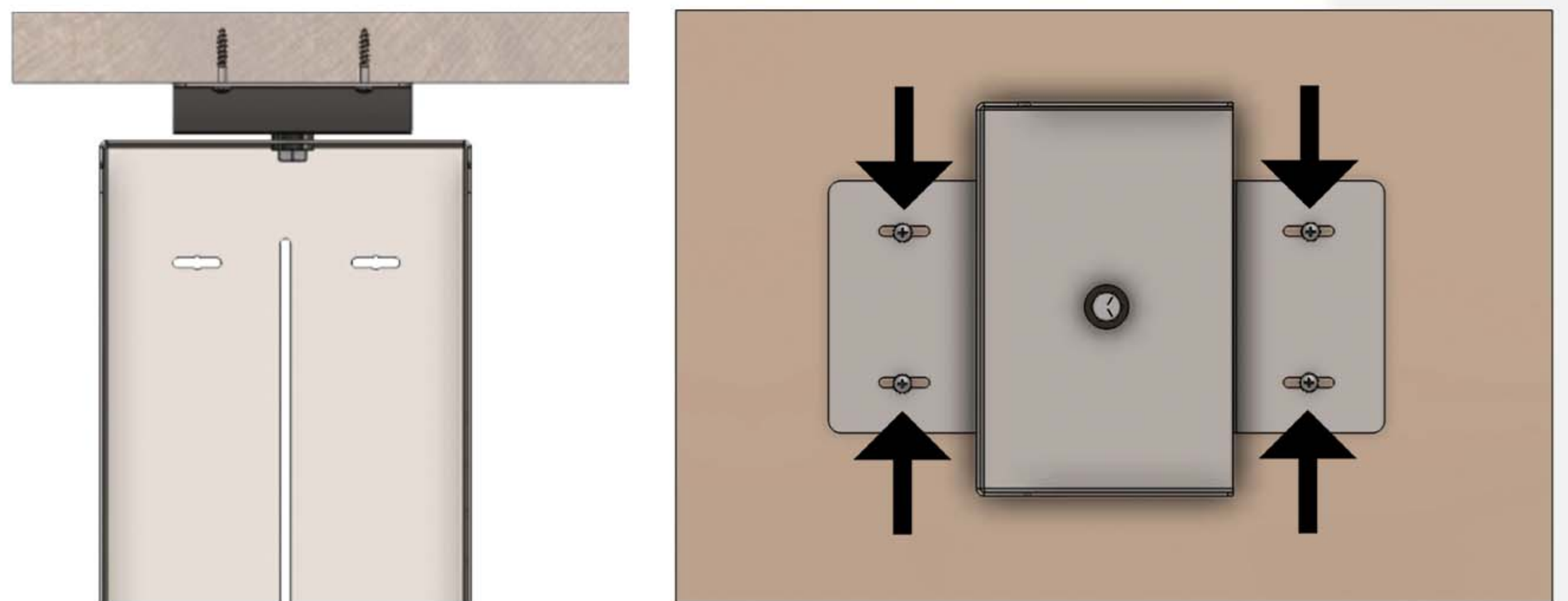
## MODEL ID: UCM-877

### INSTALLATION

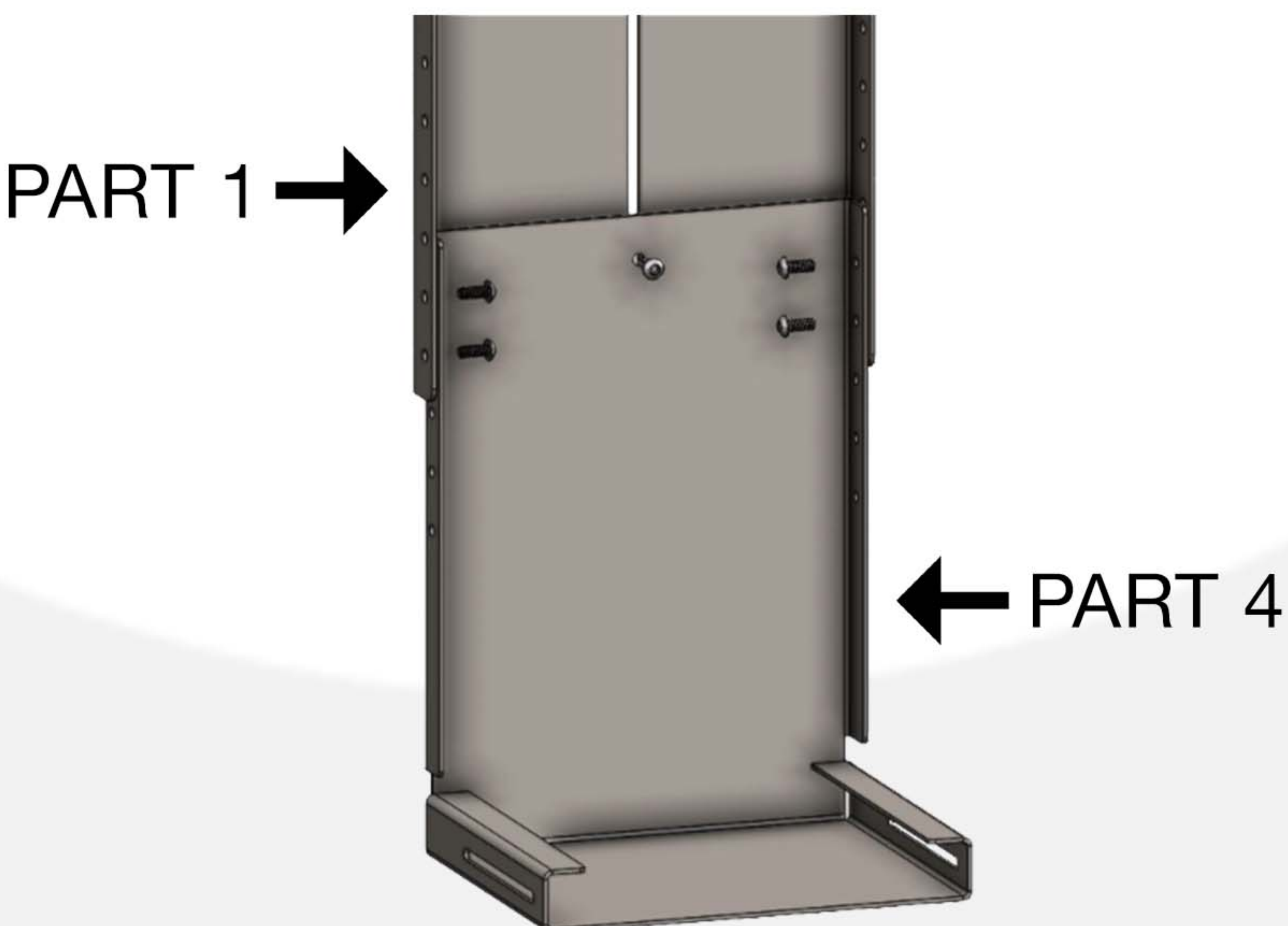
**Step 1.** Assemble Part-1 and Part-2 with the fasteners provided. Find the position of each fastener as shown below. Make sure you tighten the nut and bolt until you have a smooth swivel motion of Part-1 around Part-2.



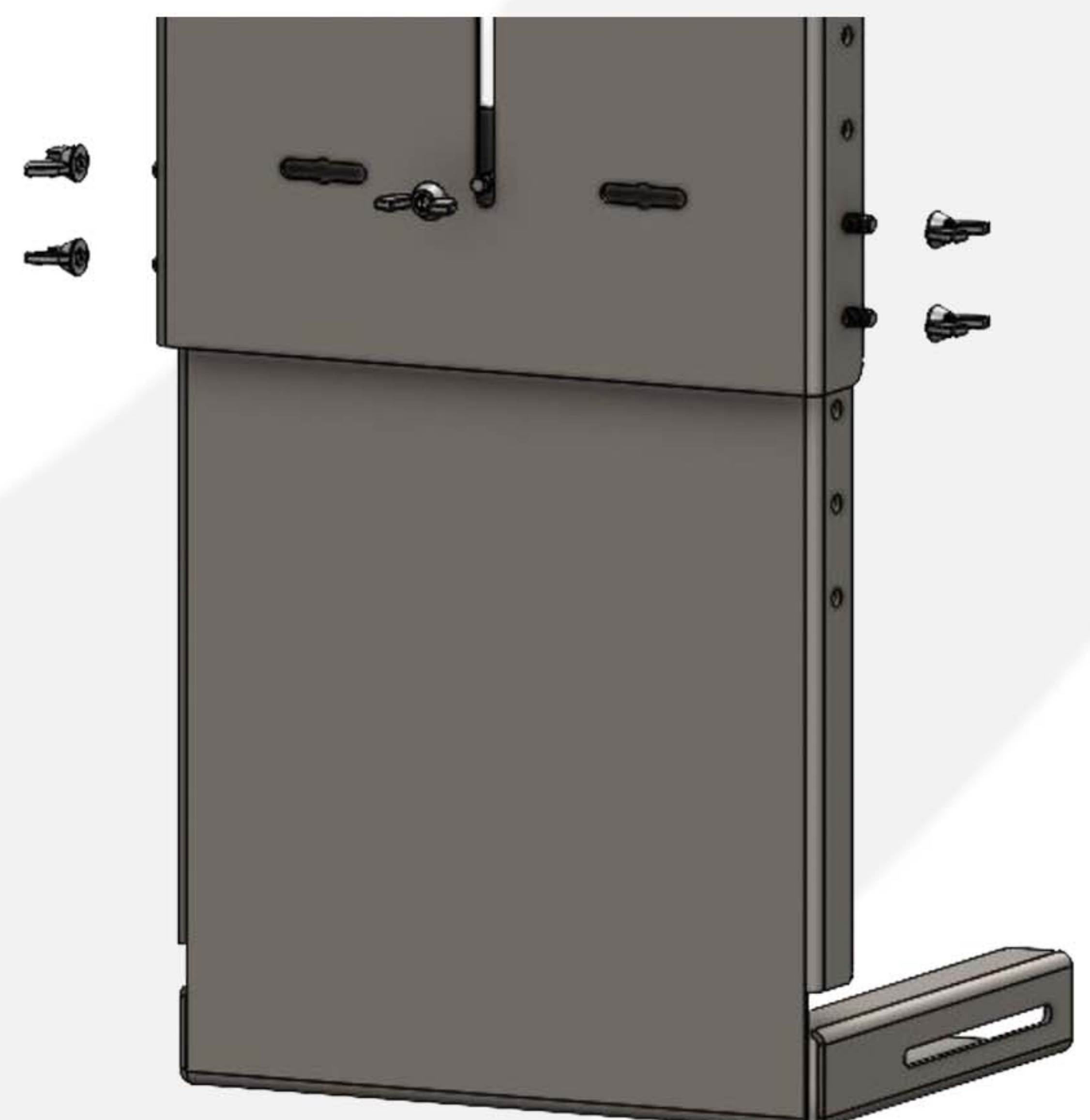
**Step 2:** Attach the assembled mount to the underside of desk and secure it with #10 wood screws provided.



**Step 3:** Align Part-4 with Part-1 by determining the height of the computer and fasten the screws as shown in the below image.



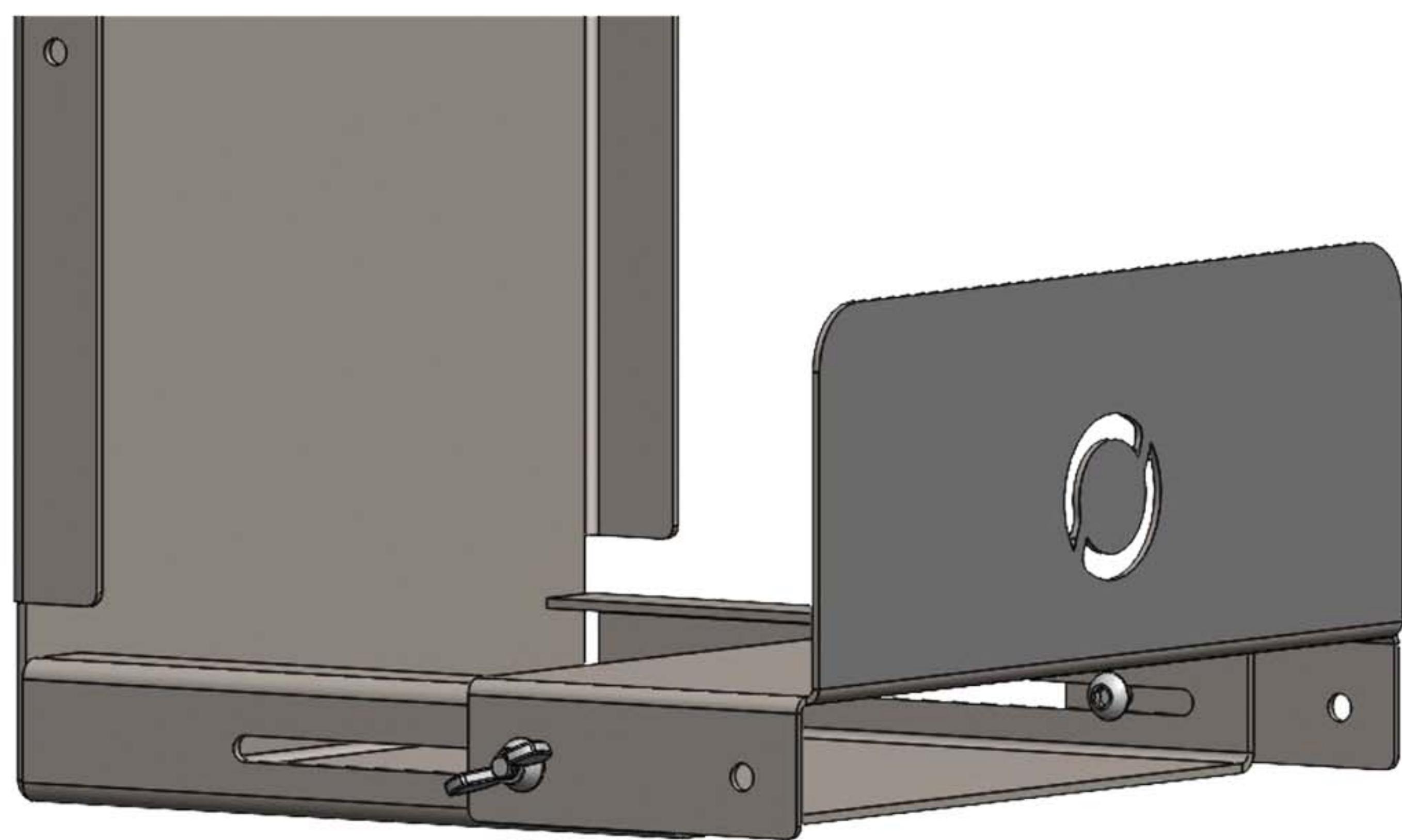
**Step 4:** Tighten the screws to keep the mount in place with the wing nuts provided.



## MODEL ID: UCM-877

### INSTALLATION

**Step 5.** Slide the tipping Bracket (Part-3) and fasten it according to the width of the computer.



← PART 3

---

**Step 6.** Then slide your computer and adjust Part-3 to the width of the computer to prevent tipping. Enjoy the service!

