



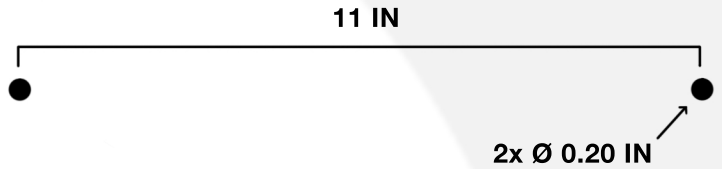
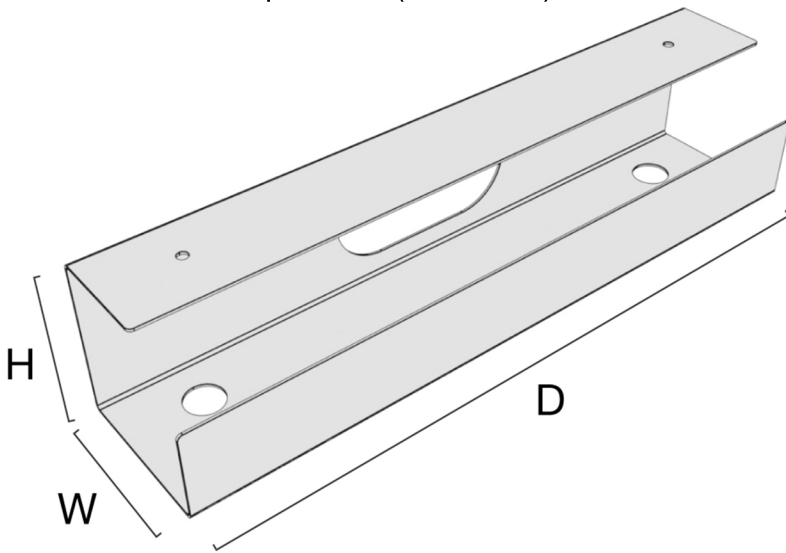
MOUNTING HOLE SPECIFICATIONS

MODEL ID: CMT-133

Height: 3" (76.2mm)

Width: 3" (76.2mm)

Depth: 14" (355.6mm)



SPECIFICATIONS

Part Number	CMT-133
Height	3 in / 76.2 mm
Width	3 in / 76.2 mm
Depth	14 in / 355.6 mm
Country of Origin	Made in USA
Material	16 GA CRS
Color	Black Powder Coat
Shipping Method	FedEx Ground
Weight Capacity	50 lb / 22.70 kg
Height Capacity	2.9 in / 73.66 mm
Width Capacity	2.9 in / 73.66 mm

WHAT'S INCLUDED



DESCRIPTION

This sturdy Under Desk Cable Tray is made of strong steel material and perfect for managing the various cables and wires at your desk. Our Cable Management Tray helps you create an organized, decluttered and tangle free desk area so that work flow is smooth and efficient. The steel material used on this Under Desk Cable Tray provides a strong holder for your cables, wires and even power bricks and surge protectors. The Cable Tray is finished in matte black powder coat paint for a clean and long lasting aesthetic appearance. Installation of our Under Desk Cable Tray is quick and easy because the tray can be mounted in multiple positions under your desk or workstation.

INSTALLATION

To install the CMT-133, place the tray where you would like it to go, and then make guide marks on the surface using the mounting holes of the tray. If necessary, drill a pilot hole at each guide mark, and use the provided plastic wall anchors. Line up your tray with the guide marks or pilot holes and screw it into place. Run cables through the cut hole on the back side of the cable tray for better organization.